



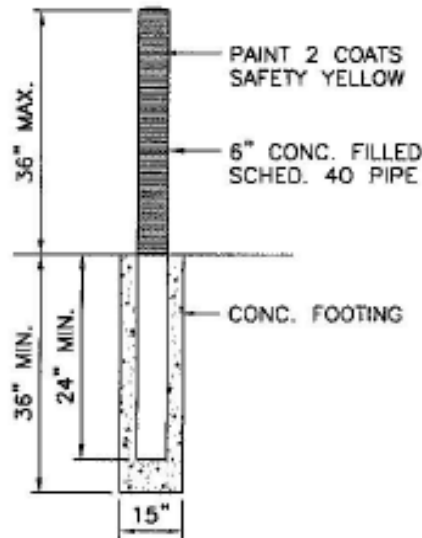
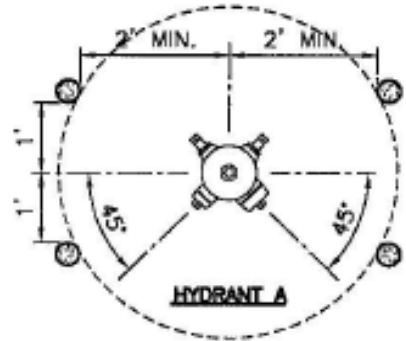
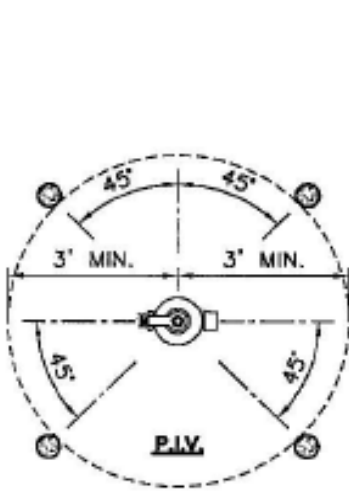
ALPINE FIRE PROTECTION DISTRICT

FIRE PREVENTION POLICY MANUAL

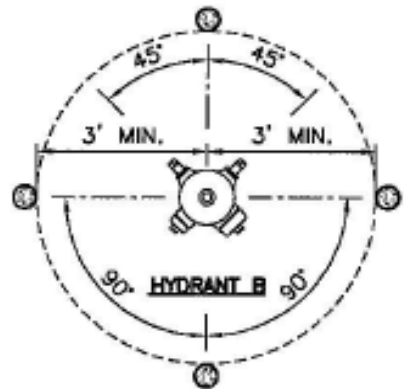
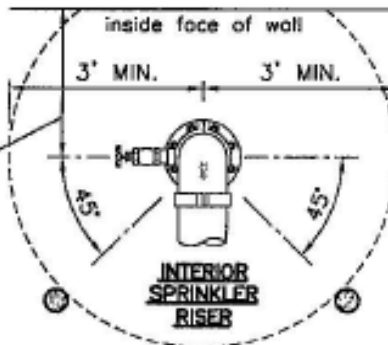
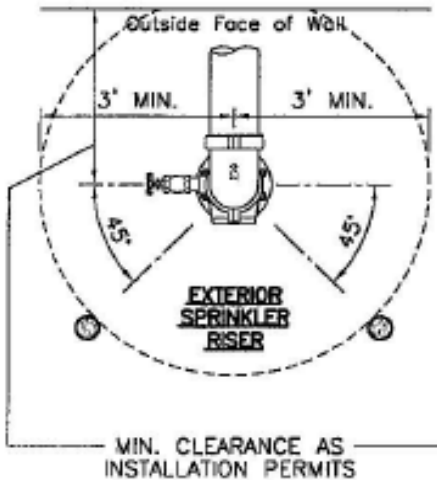
[Signature]
FIRE CHIEF APPROVAL

3-31-2014
EFFECTIVE DATE

REVISED
09/2013
STANDARD
13-312



BOLLARD



PROTECTION BOLLARDS & CLEAR DISTANCES