



ALPINE FIRE PROTECTION DISTRICT

FIRE PREVENTION POLICY MANUAL

h.z. Pl
FIRE CHIEF APPROVAL

3-31-2014

EFFECTIVE DATE

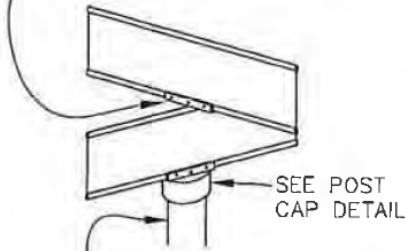
REVISED

2/24/14

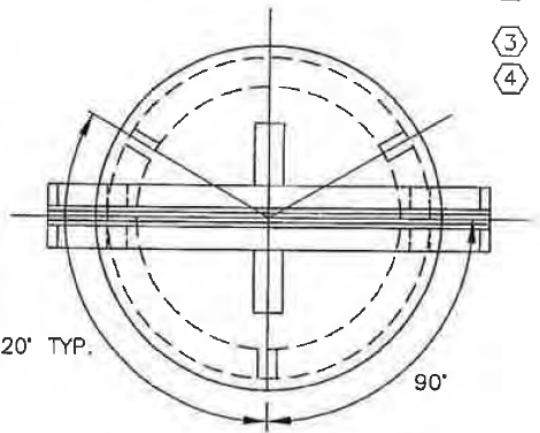
STANDARD

DS-13

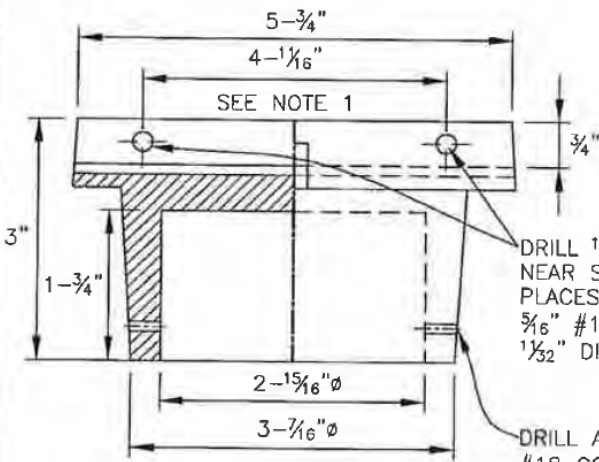
SIGN TO SIGN BRACKET DIMENSION TO BE COMPATIBLE WITH POST CAP



10' X 2-7/8" Ø O.D. ALUMINUM ALLOY 6063 T6, CLEAR ANODIZED POLE.

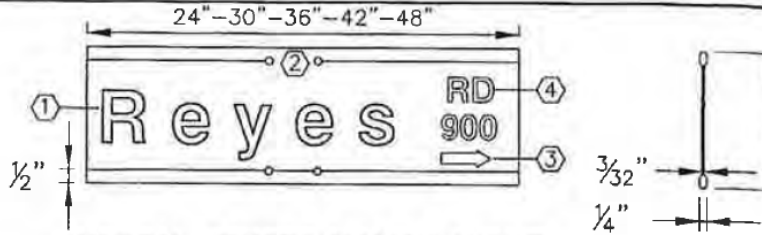


POST CAP DETAIL
NO SCALE



DRILL 1 1/32" Ø HOLE THROUGH NEAR SIDE FLANGE TYP. 2 PLACES. DRILL AND TAP FOR 5/16" #18 BOLTS IN LINE WITH 1/32" DIAMETER HOLES.

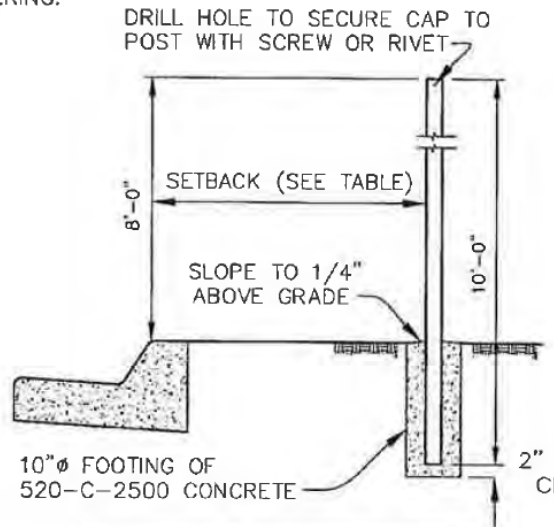
DRILL AND TAP FOR 5/16" #18 CONE POINTED SCREW (3 PLACES)



TYPICAL STREET NAME LAYOUT
NO SCALE

TYPICAL LAYOUT OF LEGEND AND BORDER ON VARIABLE LENGTH SIGN BLA OF EXTRUDED ALUMINUM WITH REVERSE SCREENED REFLECTIVE SHEETING ENGINEERING GRADE. WHITE LETTERS & BORDER ON GREEN BACKGROUND.

- ① 5" UPPERCASE AND 3-3/4" LOWERCASE LETTERING.
- ② TWO 11/32" HOLES 4-1/16" APART CENTERED ON TOP AND BOTTOM EDGE OF BLADE TO MATCH HOLES IN SIGN BRACKET ASSEMBLIES.
- ③ 2" X 2-3/4" ARROW.
- ④ 2" UPPERCASE LETTERING.



C & SW	SW	SETBACK
CONTIGUOUS	< or = 6'	SW WIDTH
CONTIGUOUS	> 6'	2'-0"
SEPARATE	---	2'-0"

CURB (C), SIDEWALK (SW), DIAMETER (Ø)



STREET SIGN STANDARD