



## County of San Diego, Planning & Development Services **WATER HEATER STRAPPING REQUIREMENTS** BUILDING DIVISION

California Plumbing Code Section 507.2 requires that all water heaters shall be supported and strapped to prevent movement during an earthquake.

Two metal straps, not less than 22 gauge, nor less than 5/8-inch wide shall be used. One strap shall be placed within the upper 1/3 of the water heater's vertical dimension and the other shall be placed within the bottom 1/3 of the water heater's vertical dimension. At the lower point, a minimum distance of 4 inches shall be maintained above the controls with the strapping. The means of connection to the structure shall be made by the use of screws not less than 1/4 inch in size with a minimum penetration of 1-1/2 inch into a framing member of the wall. A cut washer shall be used between the head of the screw and the strap to insure a positive support.

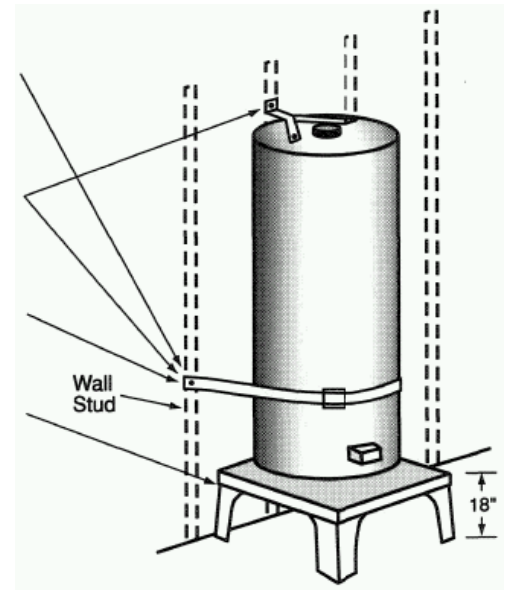
### SAMPLE #1

Drill pilots on centerline of stud; insert screws through punched holes in strap.

These types of supports are over-the-counter products sold as a packages unit.

This strap is installed 4 inches above the control unit.

This 18" stand is required for heaters installed in a garage location.



### SAMPLE #2

Drill pilots on centerline of stud; insert screws through punched holes in strap.

Minimum 22 Gauge metal strap material installed within the top 1/3 of the heater and the bottom 1/3 of the heater.

The lower strap is installed minimum 4 inches above the control unit.

Minimum 1/4-inch screws with minimum 1-1/2-inch penetration are allowed.

This 18-inch stand is required for heaters installed in a garage location.

