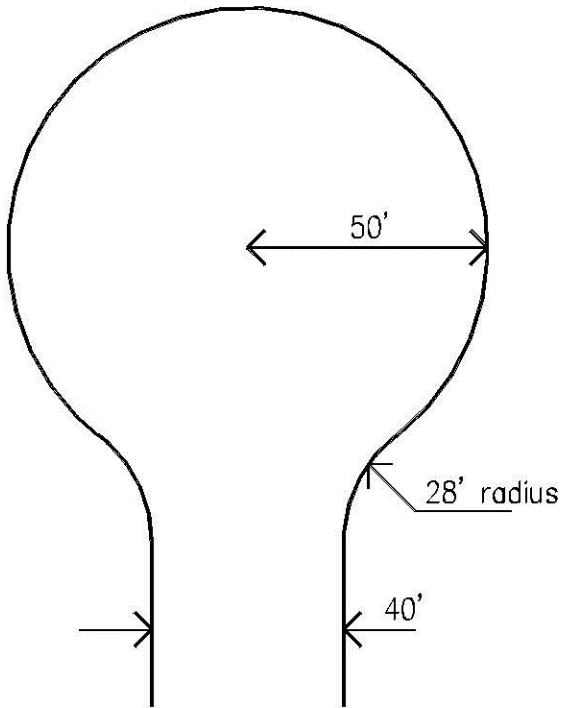


ALPINE FIRE PROTECTION DISTRICT

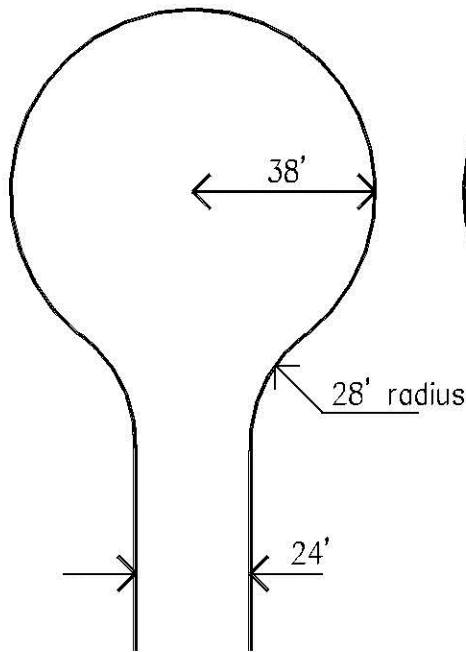
MINIMUM TURNAROUND DESIGN STANDARDS



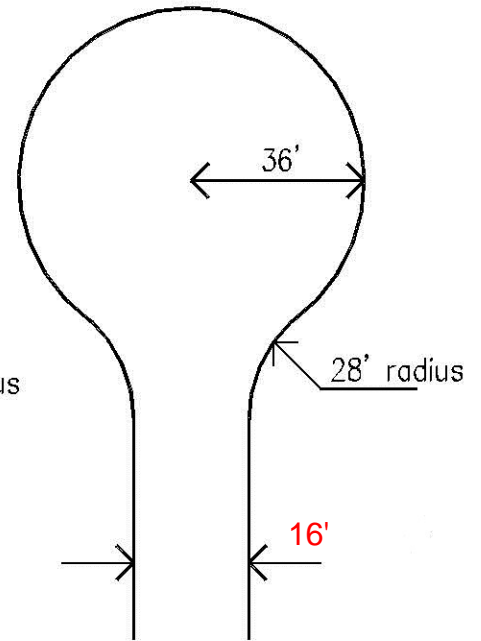
1. CUL-DE-SAC DESIGNS



COMMERCIAL WITH PARKING

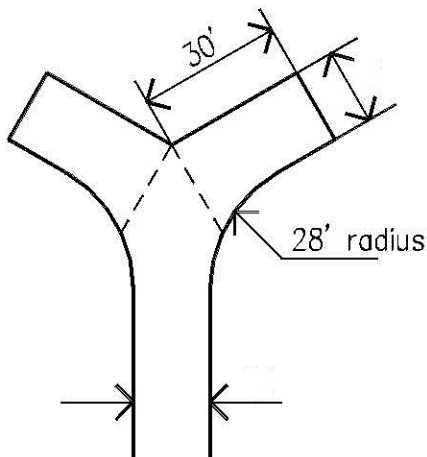


COMMERCIAL WITH NO PARKING

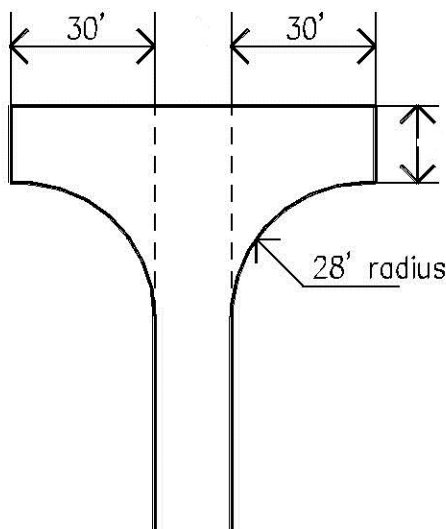


RESIDENTIAL
1 D.U. / ACRE (min)
No Parking

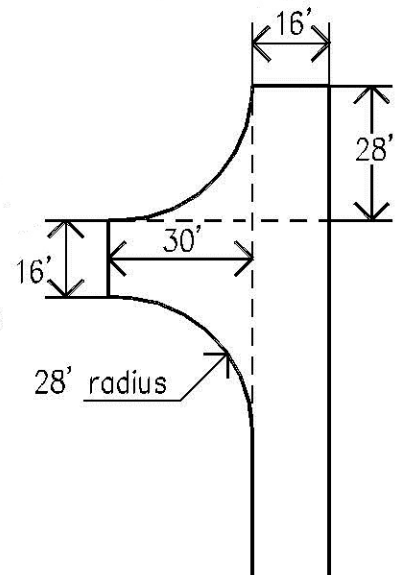
2. HAMMERHEAD DESIGNS



30° DESIGN



STANDARD



ALTERNATIVE

- a. Road widths for hammerhead turnarounds to be the same as project road widths.
- b. NO PARKING signs are to be installed as directed by the Fire Marshal.